



KB Delta

Compressor Valve Parts

3340 Fujita Street
Torrance, CA 90505
(310) 530-1539 fax: (310) 530-0264
www.kbdelta.com

RING IDENTIFICATION FORM

Please fill out the following information for part identification:

Radius Rings

Type (Circle One)

A B C D

Ring Width _____

Radius (Type A only) _____

Ring Thickness _____

Angle (Type B & D only) _____

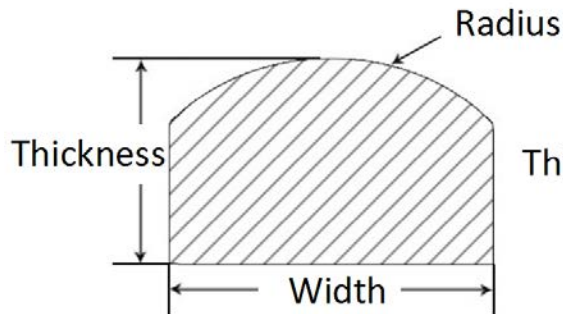
Ring Material _____

Flatness (Type D only) _____

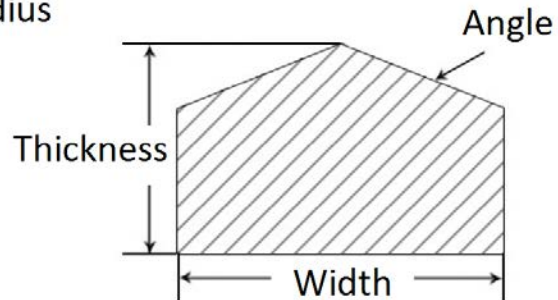
OEM Part Number _____

Valve Type _____

TYPE A



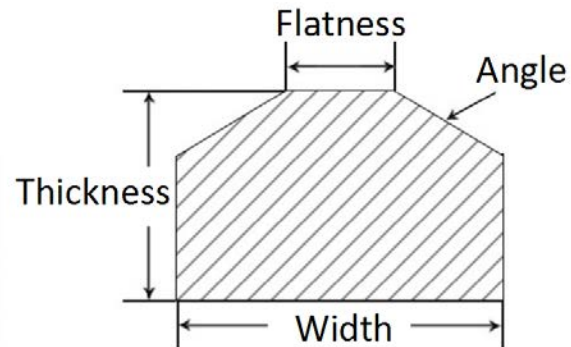
TYPE B

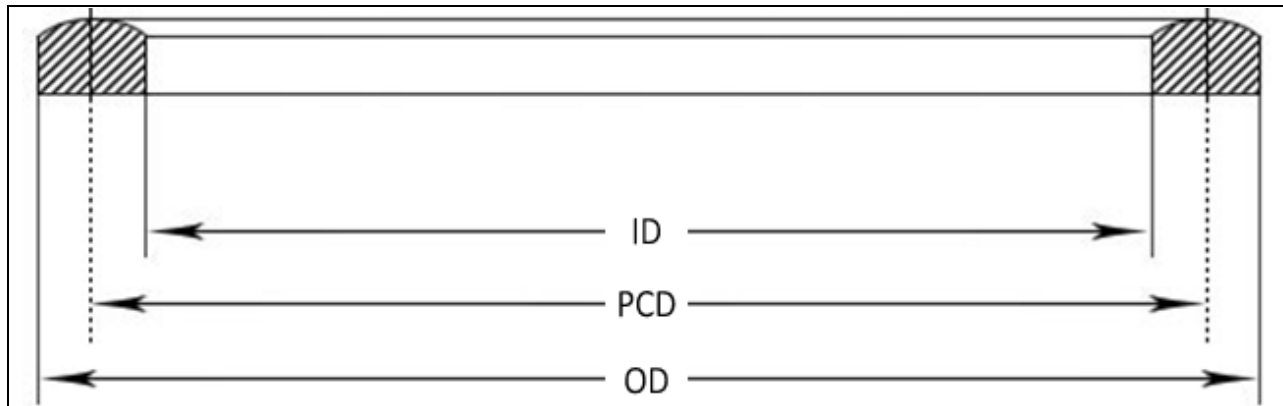


TYPE C



TYPE D





Ring Number	OD (inches)	PCD (inches)	ID (inches)
1 (smallest)			
2			
3			
4			
5			
6			

Additional Comments _____

Contact Information _____

Company Name _____ Contact Name _____

e-mail _____ Telephone _____

Fax _____ Company Website _____

Please email or fax back to KB Delta at (310) 530-0264. Thank you.

KB Delta, Inc. is an aftermarket supplier of compressor valve parts. KB Delta makes no representation that the parts we manufacture are OEM parts, however to the best of our knowledge, OEM specifications are adhered to on all of the parts we manufacture.